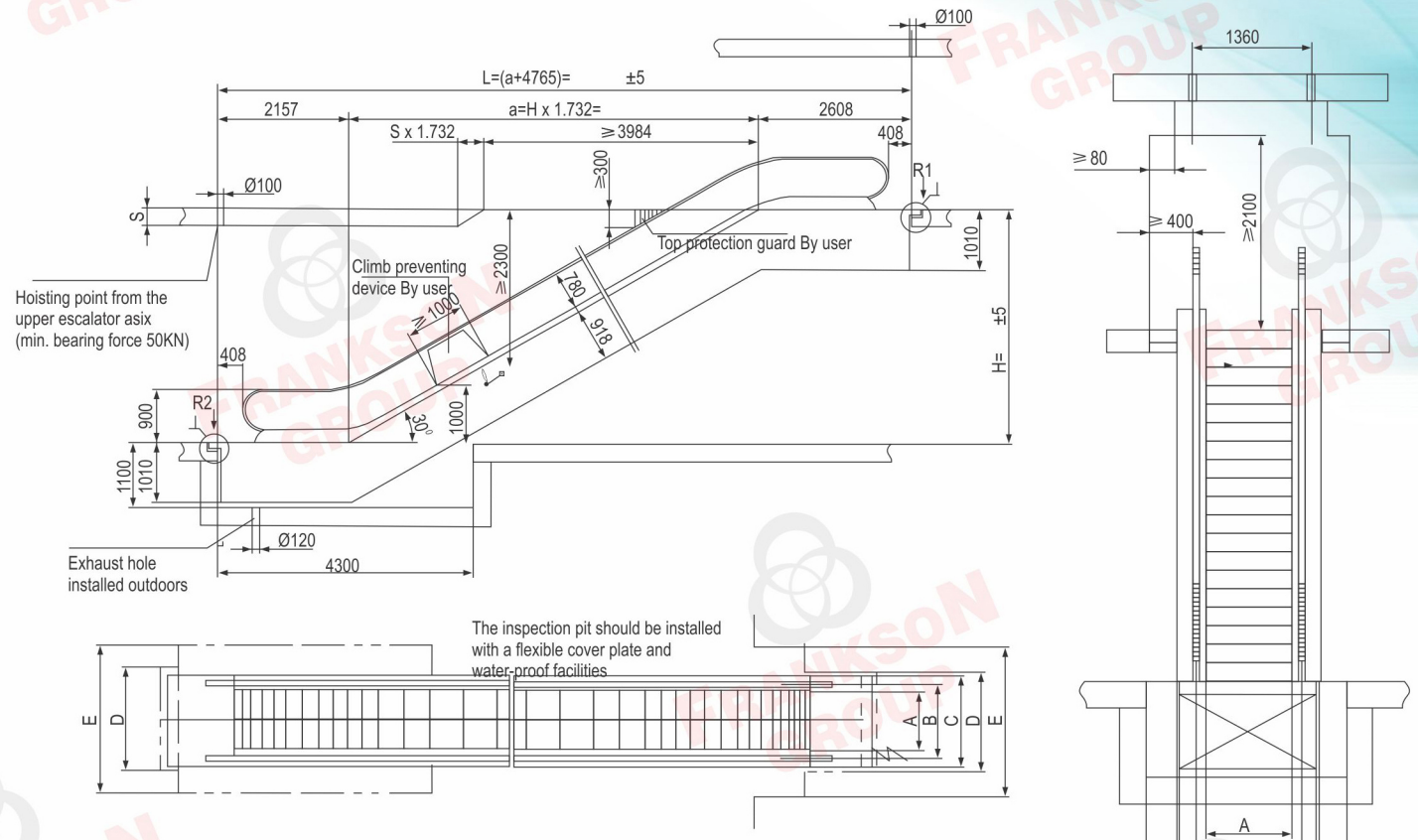


30° Escalator Construction layout parameters



Step width (mm)	A	B	C	D	E
1000	1000	1238	1600	1660	2310
800	800	1038	1400	1460	2110
600	600	838	1200	1260	1910

Model	Travelling height (mm)	Net weight KN	Supporting		Motor Power	Transport size	
			R1 KN	R2 KN		H	L
SME(600)-35 (4500/h) speed 0.5m/s	3000	57	46	41	8	2750	10900
	3500	60	49	44		2780	11890
	4000	64	52	47		2910	12880
	4500	68	56	50	11	2830	13870
	5000	71	59	53		2840	14860
	5500	75	62	56		2860	15860
	6000	79	65	59		2870	16860
SME(800)-35 (6750/H) speed 0.5m/s	3000	59	52	47	8	2750	10900
	3500	63	56	50		2780	11890
	4000	67	60	54		2810	12880
	4500	71	64	57	11	2830	13870
	5000	74	68	60		2840	14860
	5500	82	74	66		2860	15860
	6000	86	78	69		2870	16860
SME(1000)-30 (9000/H) speed 0.5m/s	3000	63	59	53	8	2750	10900
	3500	67	64	57		2780	11890
	4000	71	68	61		2810	12880
	4500	75	73	65	11	2830	13870
	5000	83	79	71		2840	13610
	5500	87	84	75		2860	15860
	6000	92	88	79		2870	16860